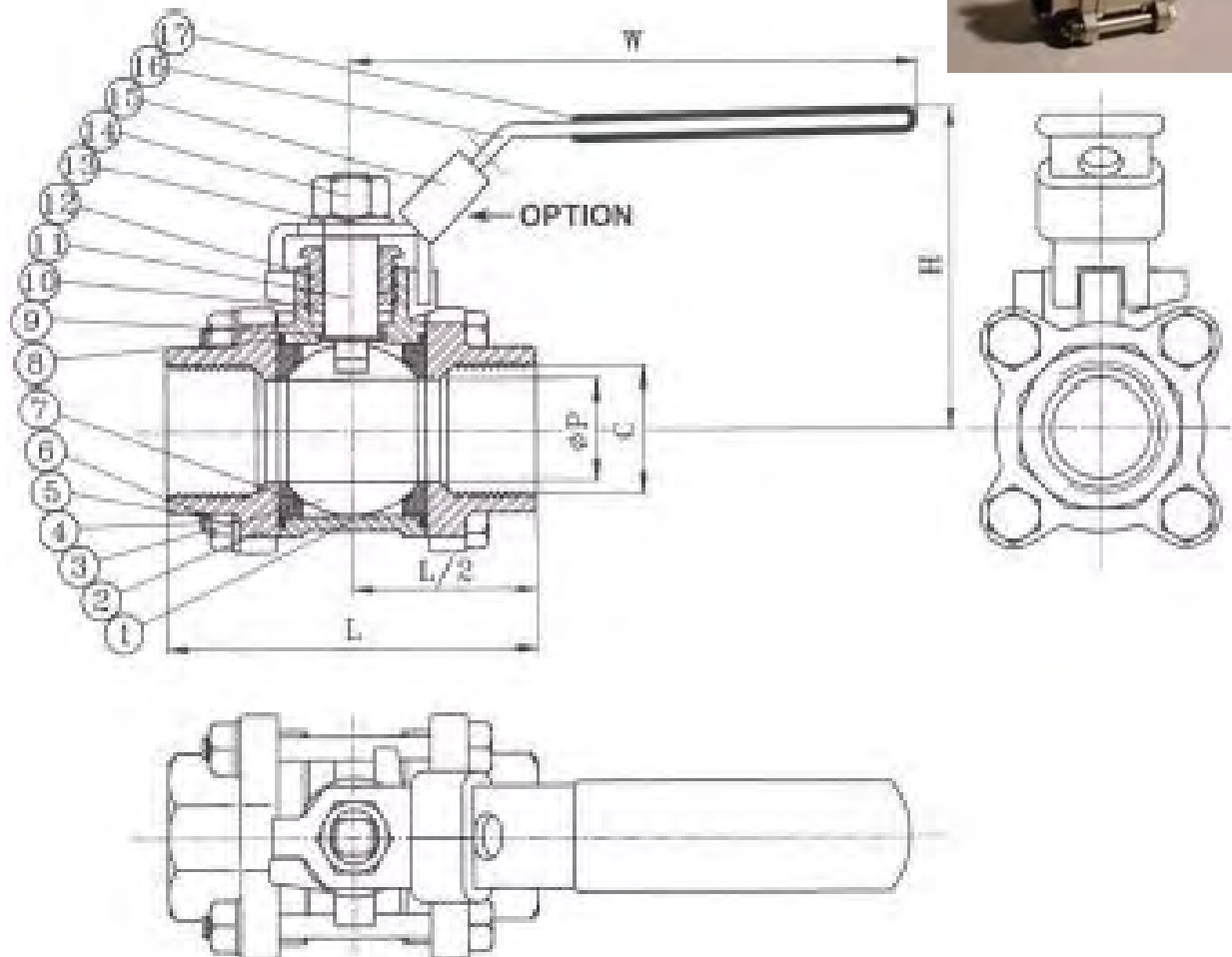


Ball valve Stainless steel

Type KL- 501 T

3-piece-design, threaded connection, full bore,
PN 63 DN 8- 100



Pos	Description	Pcs	Material
1	Body	1	1.4408
2	End body	1	1.4408
3	Ball	1	1.4401
4	stainless washer	4 - 12	1.4301
5	Nut	4 - 12	1.4301
6	bolt	4 - 6	1.4301
7	Ball seals	2	PTFE
8	Body seals	2	PTFE
9	Pressure ring	1	PTFE
10	Stem seals	1 Satz	PTFE
11	Connecting well	1	1.4401
12	Gland	1	1.4301
13	steel washer	1	1.4301
14	Nut	1	1.4301
15	locking-device	1	1.4301 (optional)
16	Handle	1	1.4301
17	coating	1	plastic

Dimensions, Weight, torques							
DN	C	P	L	H	W	G (kg)	D (Nm)
8	1/4"	11,6	65	55	97,5	0,35	7
10	3/8"	12,7	70	55	97,5	0,35	7
15	1/2"	16	75	64	125,5	0,6	7
20	3/4"	20	90	67	125,5	0,95	11
25	1"	25	100	83	143,5	1,2	18
32	1 1/4"	32	110	89	143,5	1,85	23
40	1 1/2"	38,1	125	100	203,5	2,7	29
50	2"	50,8	150	108	203,5	4,35	37
65	2 1/2"	65	190	150	251,5	8,3	58
80	3"	80	220	161	251,5	12,3	69
100	4"	100	270	180	291,5	23,8	92

construction length DIN 3202 – M3

Temperature range **-20°C bis 200°C**
(See Pressure-/Temperature sheet)