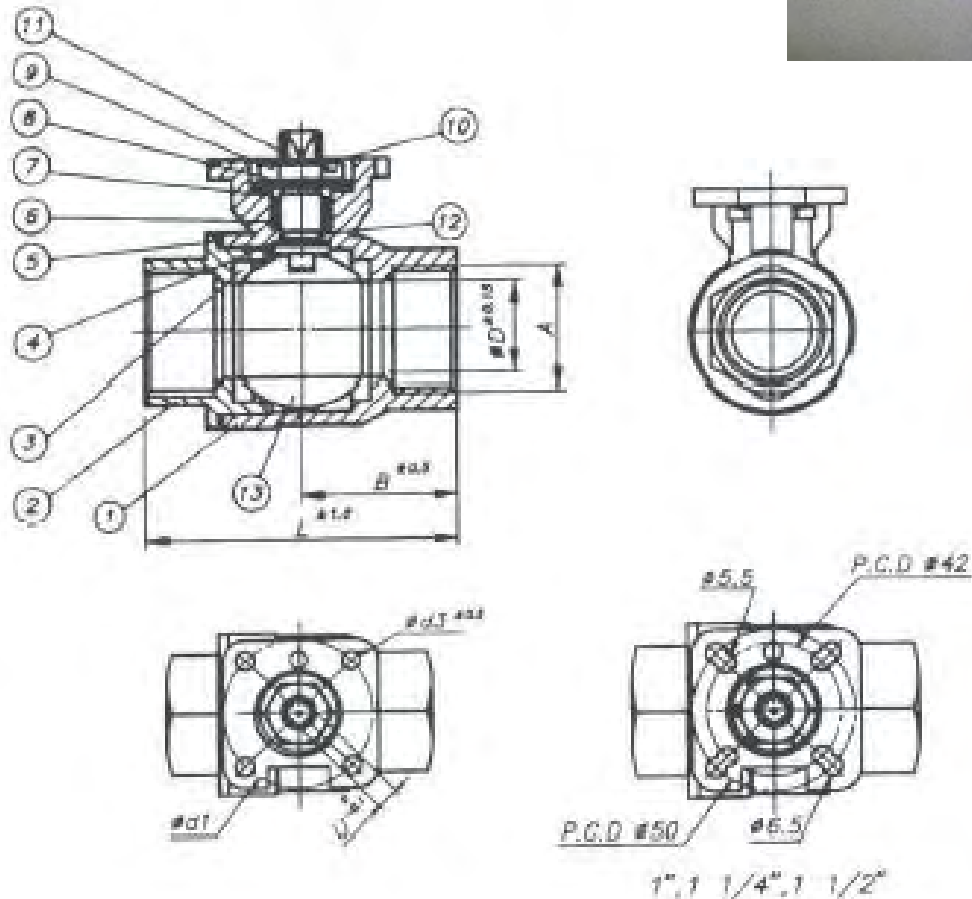


Ball valve Stainless steel

Type KL- 411

2-piece-design, threaded connection, full bore
Mounting Pad acc. to ISO5211
PN 100 DN 8- 50

Suitable für mounting electrical actuator or pneumatic actuator



Pos	Description	Pcs	Material
1	Body	1	1.4408
2	End body	1	1.4408
3	seals	2	PTFE
4	Pressure ring	1	PTFE
5	Body seals	1	PTFE
6	Gland ring	2	PTFE
7	Gland nut	1	1.4401
8	Disc Spring	2	1.4301
9	nut	1	1.4301
10	Secure ring	1	1.4301
11	Stem seals	1	1.4401
12	O- Ring	1	Viton
13	Ball	1	1.4401

Dimensions, Connections, torques								
Nm	Ø D	A	B	L	U	Ød1	Ød3	ISO
								5211
	1/4"	11,6	BSP	25	50	9	36	5,5 F03
	3/8"	12,7	BSP	30	60	9	36	5,5 F03
	1/2"	15	BSP	37,5	75	9	36	5,5 F03/04
	3/4"	20	BSP	40	80	11	42	5,5 F04/05
	1"	25	BSP	45	90	11	42	5,5 F04/05
	1 1/4"	31,8	BSP	55	110	11	42	5,5 F04/05
	1 1/2"	38	BSP	60	120	11	42	5,5 F04/06
	2"	50,8	BSP	70	140	14	50	6,5 F05/07

Constructions length acc. DIN 3202 M3
Temperature range -20°C bis 200°C
 (see Pressure- / Temperature sheet)