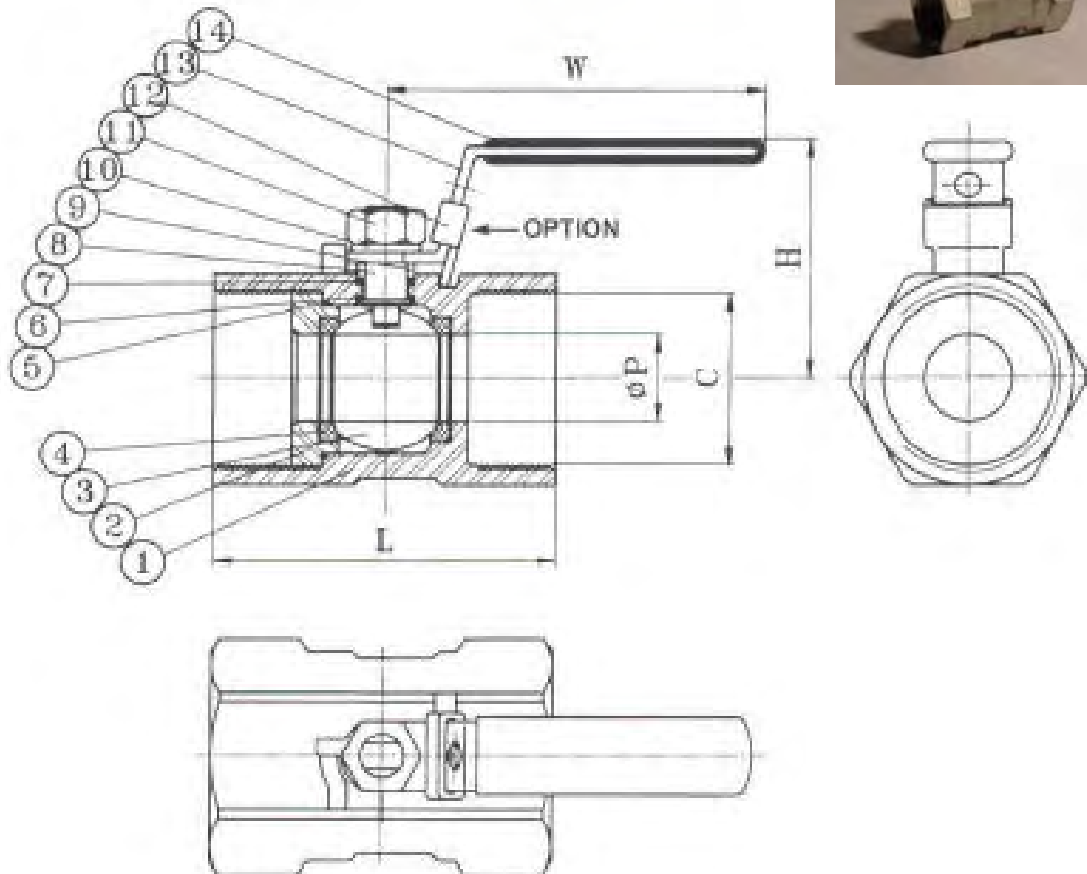


Ball valve Stainless steel

Type KL- 201

1-piece-design, threaded connection, reducedbore
PN 63 DN 8- 50



Pos	Description	Pcs	Material
1	Body	1	1.4408
2	Connection end	1	1.4408
3	Ball	1	1.4401
4	Ball seals	2	PTFE verst.
5	Body seals	1	PTFE
6	Pressure ring	1	PTFE
7	Stem seals	1	PTFE
8	Connection well	1	1.4301
9	Gland ring	1	1.4301
10	steel washer	1	1.4301
11	nut	1	1.4301
12	locking-device	1	1.4301 (Option)
13	Handle	1	1.4301
14	coating	1	Plastic

Dimensions, weight						
DN	C	P	L	H	W	G (kg)
8	1/4"	5	39	32,5	70	0,65
10	3/8"	7	44	34,5	70	0,1
15	1/2"	9,2	56,5	43,5	90	0,15
20	3/4"	12,5	58	47	90	0,3
25	1"	16	71	55	110	0,4
32	1 1/4"	20	78	60,5	110	0,7
40	1 1/2"	25,4	83	74,5	140	0,8
50	2"	32	100	80,5	140	1,3

Temperature Range -20°C bis 200°C
(see Pressure-/ Temperature sheet)