

Ball valve Wafer-type Stainless steel

Typ KL-140 F

Compact Ball valve, flanged, full bore

PN 16 / 40 DN 15 – 100

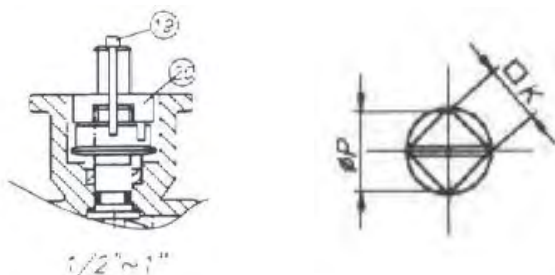
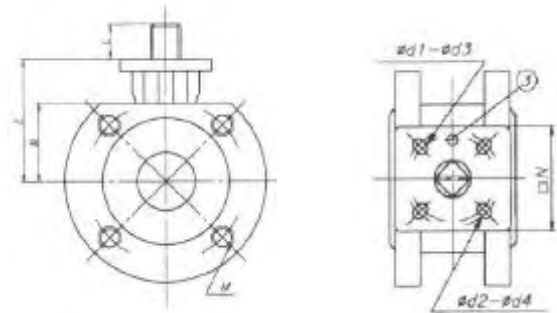
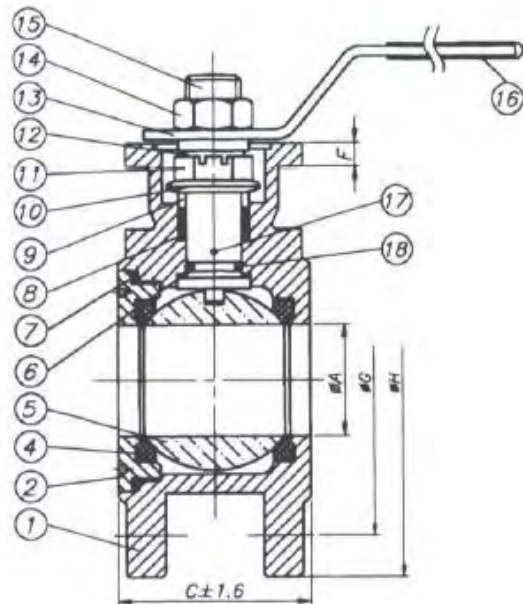
Flange dimensions and threaded holes according to PN 16

Design

1-piece designed wafer-type ball valve, full bore, mounting pad for actuator according to ISO 5211

Characteristics

Extra small dimensions, low weight, minimal body length inside the valve to avoid flow of remaining media after closing the valve.



Pos	Description	Pcs.	Material
1	Body	1	1.4408
2	Connection end	1	1.4408
3	End stop	1	1.4301
4	Ball seals	2	PTFE
5	Ball	1	1.4401
6	Pressure ring	1	PTFE
7	Body seals	1	PTFE
8	Stem seals	1 Set	PTFE
9	Gland ring	2	1.4301
10	Disc spring	2	SUS 301
11	Compression gland	1	1.4301
12	Secure ring	1	1.4301
13	Handle	1	1.4301
14	nut	1	1.4301
15	Connecting well	1	1.4401
16	Handle coating	1	plastic
17	Anti-Static (optional)	1	1.4301
18	O- Ring	1	VITON
19	Stud	1	1.4301
20	Tappet	1	1.4301

	DN	C	Ø G	Ø H	Ø A	B	E	F	N	ISO 5211	Ød1	Ød2	Ød3	Ød4	K	ØP	L	M	Nm
1/2"	15	40	65	95	15	34,5	60	6,3	43,5	F03/F04	36	42	6,0	5,5	9	11,11	8	M12x1,75	8
3/4"	20	44	75	105	20	38,5	64,3	7	43,5	F03/F04	36	42	6,0	5,5	9	11,11	11	M12x1,75	11
1"	25	53	85	115	25	44,6	64,6	7	48,5	F04/F05	42	50	5,5	7,0	9 o.11	11,11	11	M12x1,75	15
1 1/4"	32	58,4	100	135	32	51	69	7	49,5	F04/F05	42	50	5,5	7,0	9 o.11	11,11	11	M16x2	22
1 1/2"	40	62	110	145	38	55	76,3	7,2	48,5	F05/F07	50	70	7,0	8,5	14	19,05	17	M16x2	26
2"	50	78	125	155	50	63	85,7	7,2	70	F05/F07	50	70	7,0	8,5	14	19,05	15	M16x2	42
2 1/2"	65	100	145	185	65	73,5	105	10,6	---	F07	--	70	--	9,0	17	22,22	17	M16x2	56
3"	80	120	160	200	76	94	123	10,6	---	F07	--	70	--	9,0	17	22,22	17	M16x2	63
4"	100	152	180	220	96	105	132	12,6	---	F07/F10	70	102	9,0	10,5	17o.19	22,22	21	M16x2	72