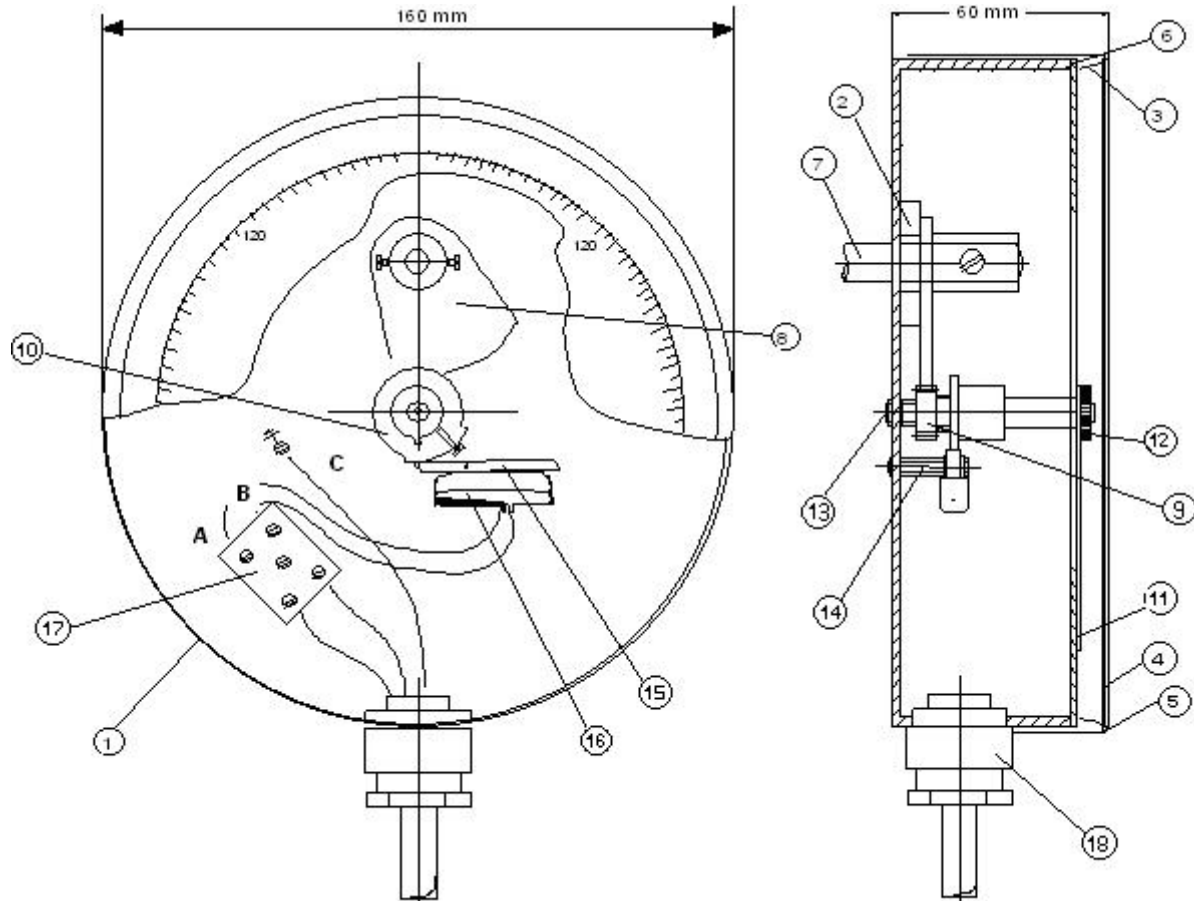


Contact system ZQ

Flow Switch with Tooth sector ratio



Item.	Designation	Material
1	switch and display housing	V2a
2	Fixing nut	brass
3	Diaphragm ring	plastic
4	disc glas	perspex
5	push-over ring	brass
6	scale disc	plastic
7	Flap shaft	stainless steel
8	tooth segment with retainer screw	brass/plastic
9	Pinion with spacer sleeve	brass/plastic
10	Cam disc	brass
11	Indicator	brass
12	knurled nut for Indicator	brass
13	Bearing bolt for pinion	brass
14	tapped srew w. counter pressure spring	steel
15	Roller lever with Q-conduit holder	brass
16	Contact switch "Q" 230 Volt 6 Amp.	mercury
17	Connection terminal	
18	cable screw union pg 13.5	brass



Parts-list Number

4H1 702-1

Copyright © Jlso Tec Trade GmbH